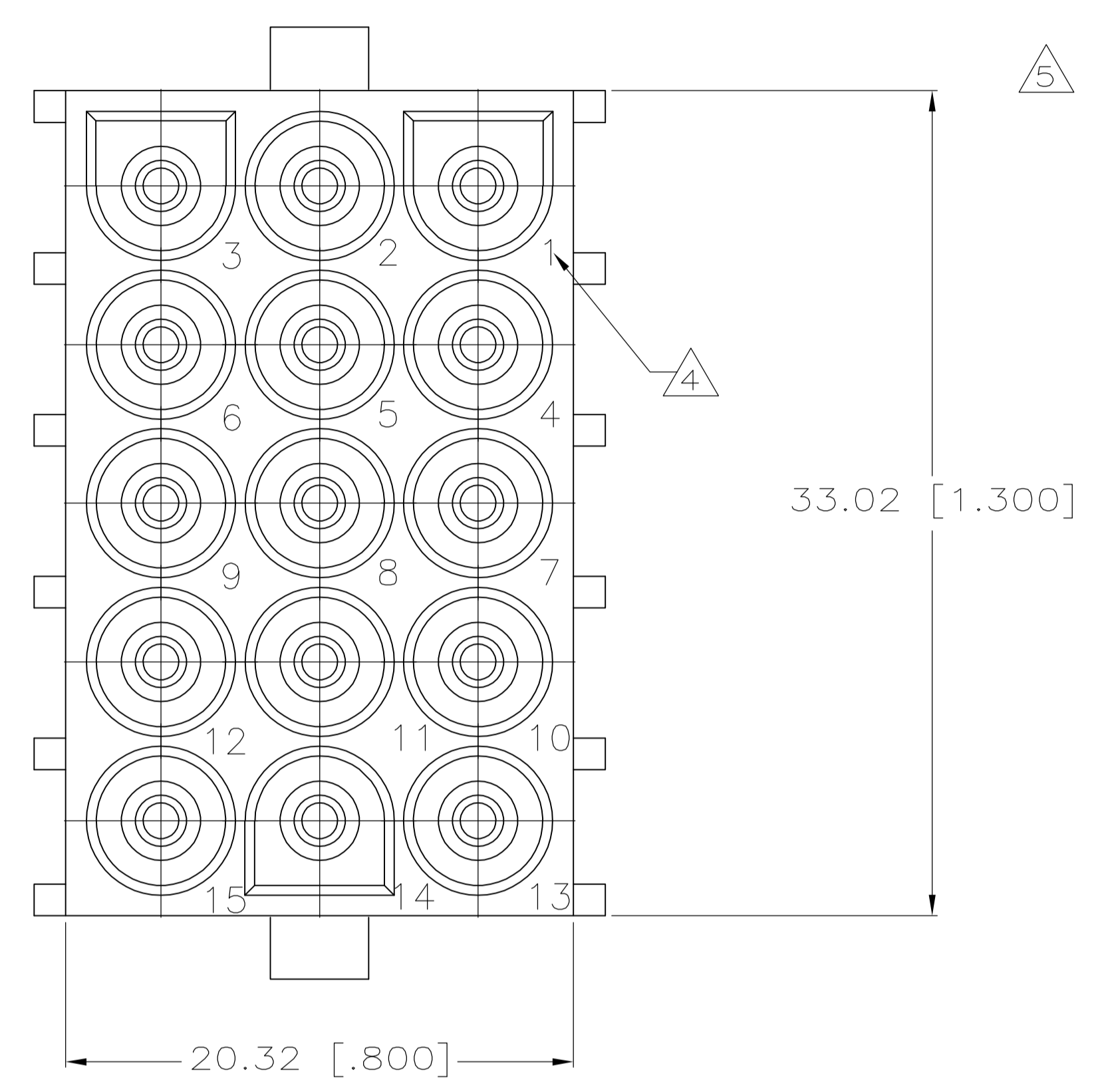
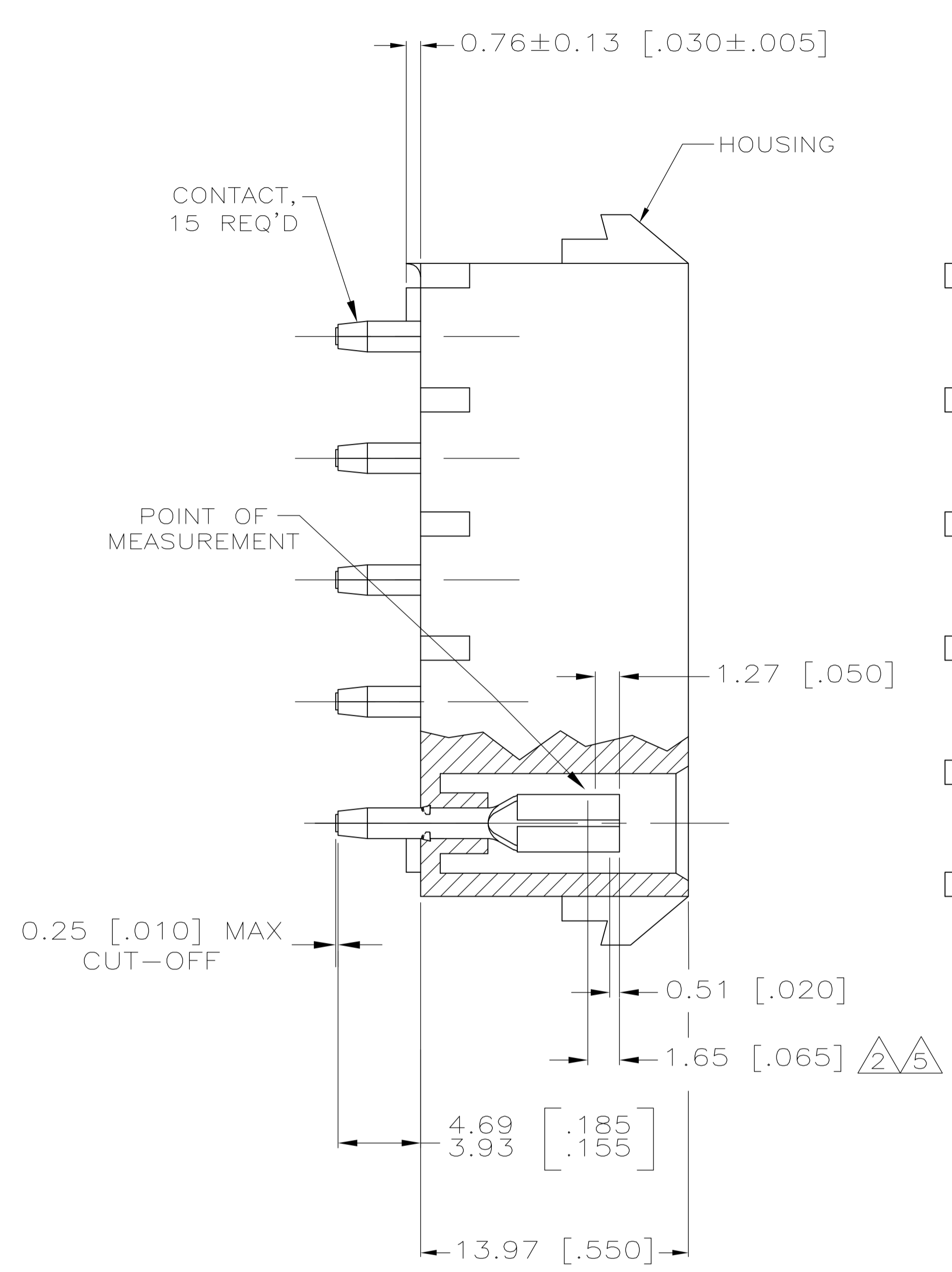
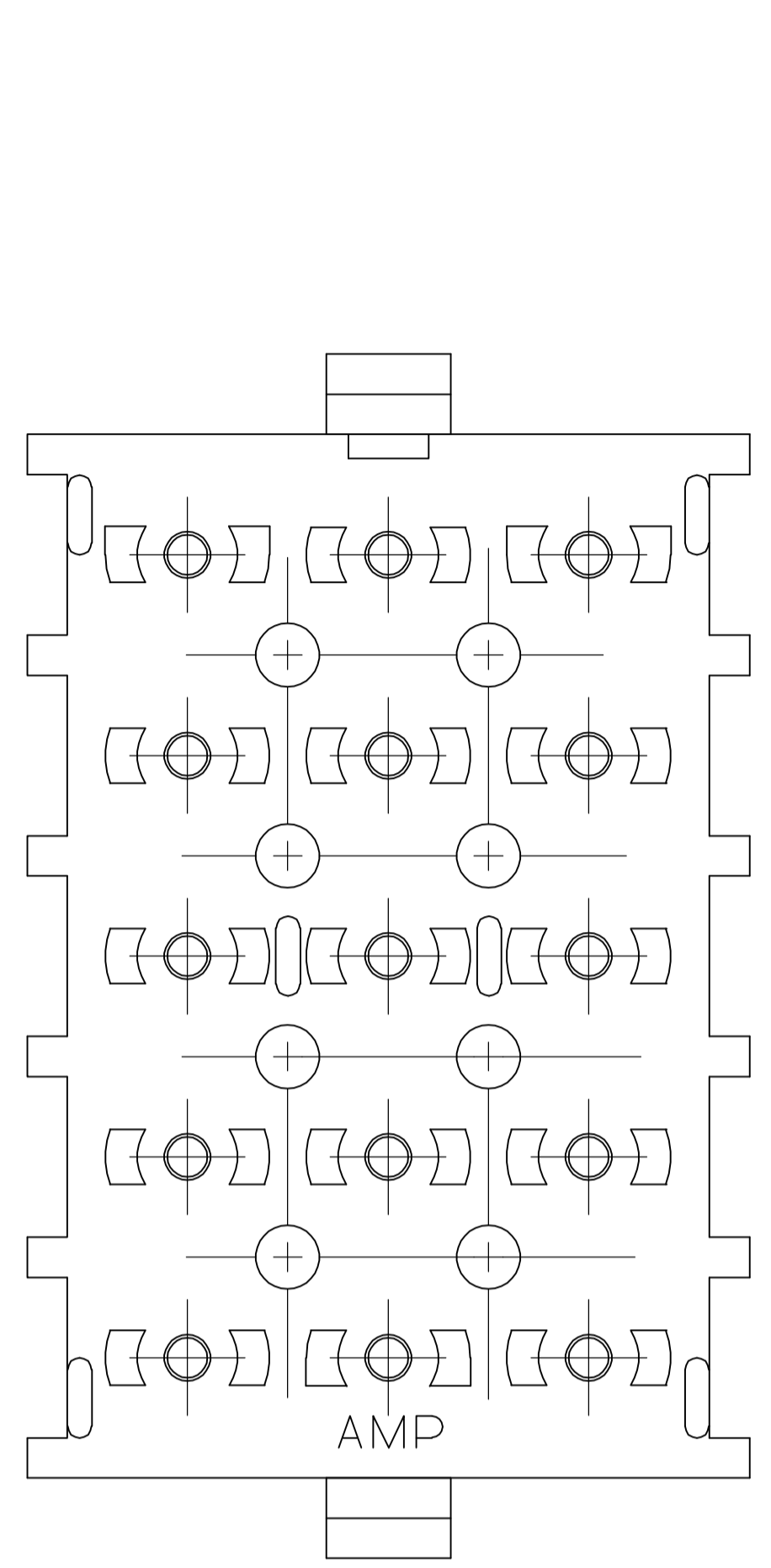
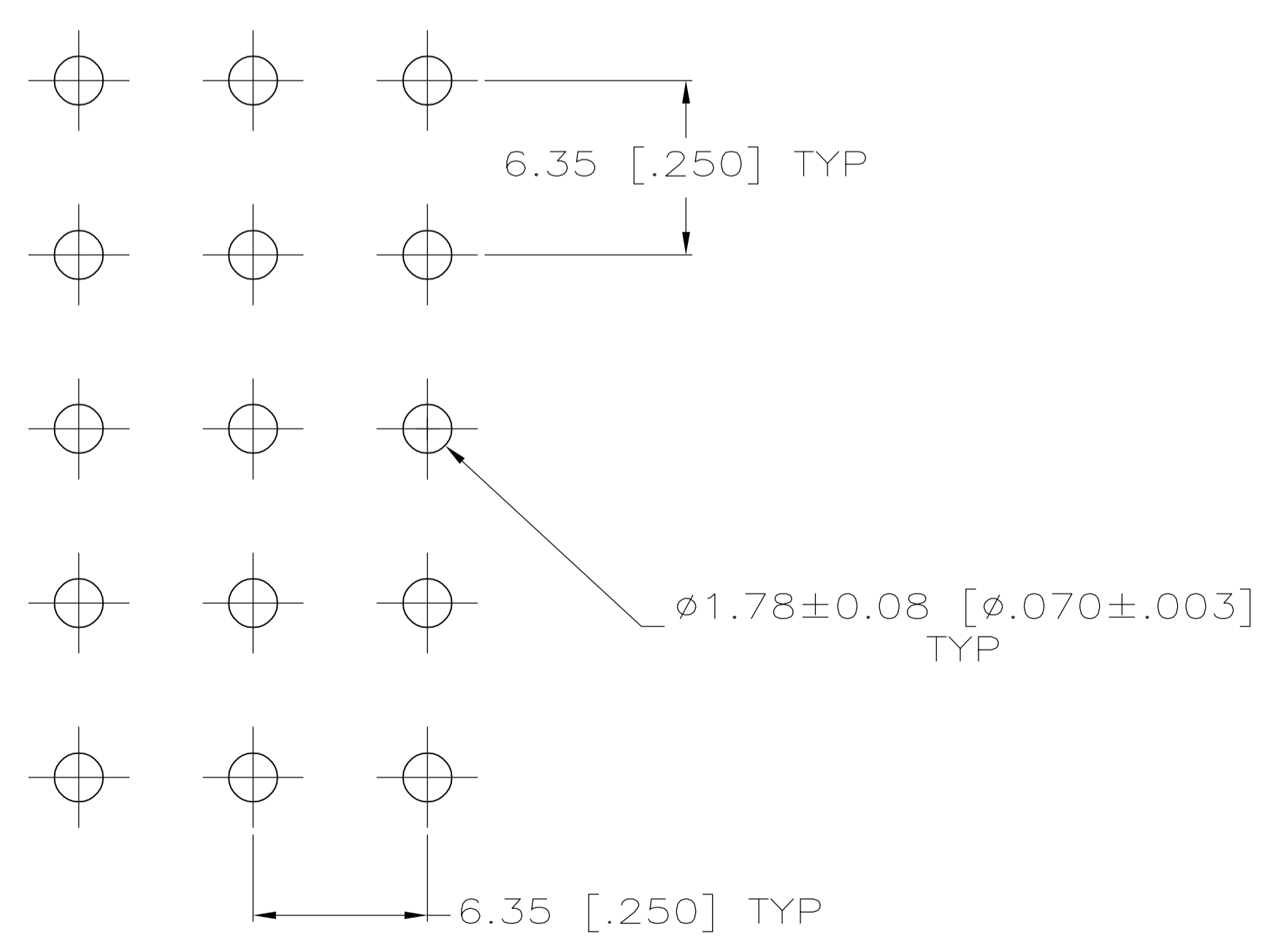


LOC		DIST		REVISIONS			
P	LTR	DESCRIPTION	DATE	OWN	APVD		
P		REVISED PER DG38-1100-04	11OCT05	KW	SR		



- PARTS MUST COMPLY WITH AMP SOLDERABILITY SPEC 109-11-3.
- CONTACT IS STAMPED FROM PRE-PLATED STOCK WHICH IS PLATED OVERALL WITH 0.00127 [.000050] NICKEL, THEN STRIPED WITH 0.00076 [.000030] GOLD IN CONTACT AREA INDICATED AND TIN-LEAD ON SOLDER TAIL END.
- CIRCUIT IDENTIFICATION CHARACTERS ARE ADJACENT TO THE INDICATED CAVITIES, BUT LOCATION AND ORIENTATION MAY DIFFER FROM PRINT.
- CONTACT IS PLATED OVERALL WITH 0.00127 [.000050] NICKEL, THEN 0.00076 [.000030] GOLD OVER CONTACT LENGTH INDICATED AND MATTE TIN ON SOLDER TAIL END.



RECOMMENDED LAYOUT FOR 1.58 [.062] THICK PC BOARD

PH BRZ GOLD 5	NYLON, UL94V-0	350830-4
PH BRZ GOLD 2	NYLON, UL94V-0	350830-2
PH BRZ TIN	NYLON, UL94V-0	350830-1
CONTACT	HOUSING	PART NO

THIS DRAWING IS A CONTROLLED DOCUMENT.

DIMENSIONS: mm (INCHES)	TOLERANCES UNLESS OTHERWISE SPECIFIED:	OWN: K. WHITAKER 11OCT2005	APVD: S. RIDGILL 11OCT2005	NAME: 15 CIRCUIT UNIVERSAL MATE-N-LOK (TM) P.C. BOARD SOCKET HEADER ASSEMBLY
0 PLC ±	1 PLC ±	2 PLC ±	3 PLC ± 0.13 [.005]	4 PLC ±
ANGLES FINISH: SEE TABLE		MATERIAL: SEE TABLE		RESTRICTED TO: CUSTOMER DRAWING

Scale: 5:1, Sheet 1 of 1, Rev P

